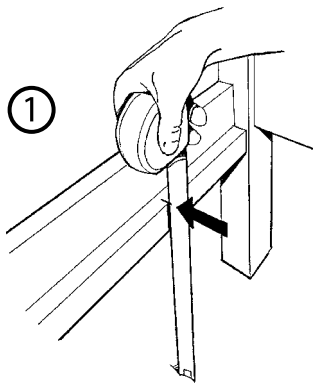


STEP ①



# Setting up your adjustable Bedbeam II Support System

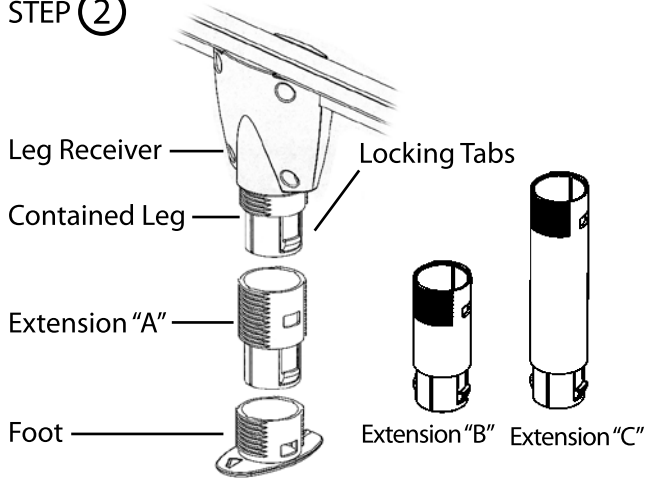
Patent Pending



Kit for **FULL, QUEEN, KING and CAL KING** sizes

Tools Required: Screwdriver, tape measure, pencil

STEP ②



- ① Measure from floor to the top of the slat rail. Find this measurement on the chart below. Chart indicates proper Leg Extensions to use.

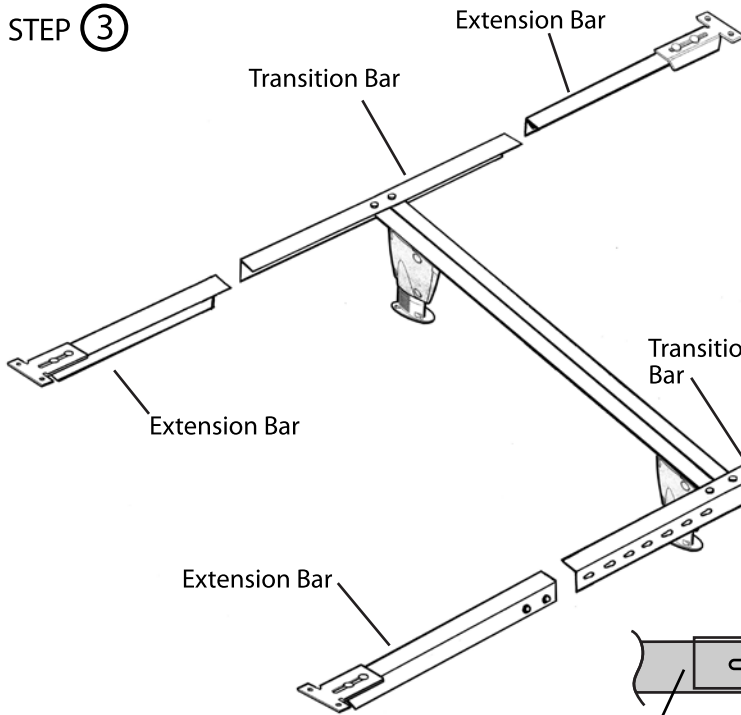
LEG LENGTH CHART

5" -7"	7"-9"	9"-11.5"	11.5"-14"	14"-16"	16"-18"
Foot only	Extension "A" and Foot	Extension "B" and Foot	1"A"extension 1"B"extension and Foot	Extension "C" and Foot	1"A"extension 1"C"extension and Foot

Example: 10 1/2" measurement to top of slat rail would use 1 Extension "B" and Foot.

- ② Assemble the appropriate Leg Extension(s) and Feet together. If extensions are needed, first remove foot by pressing in both Locking Tabs and carefully pulling apart.

STEP ③



- ③ Position Bedbeam Extension Beams at 4 corners.

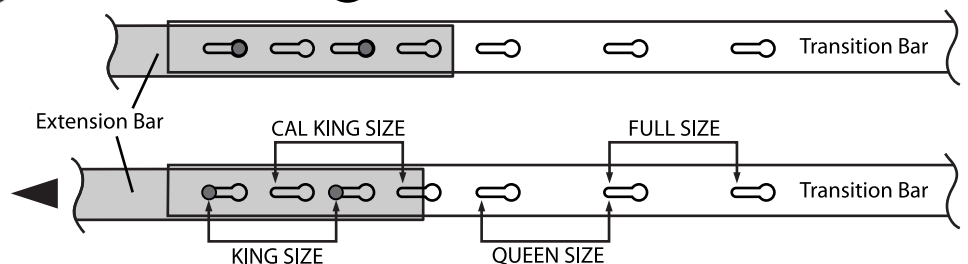
\*NOTE This assembly uses 2 LEFT handed Extension Bars and 2 Right handed Extension Bars.

- ④ Select appropriate keyhole slots on Extension Bars for the desired size bed.

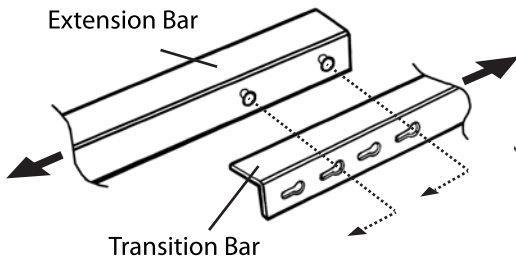
Insert Extension rivets into Keyhole Slots on Transition Bars.

\*NOTE Full and Queen size share a Keyhole Slot.

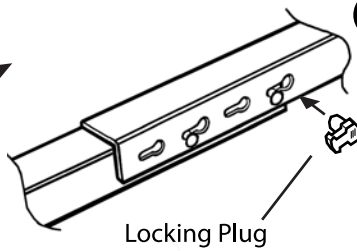
STEP ④



STEP ⑤



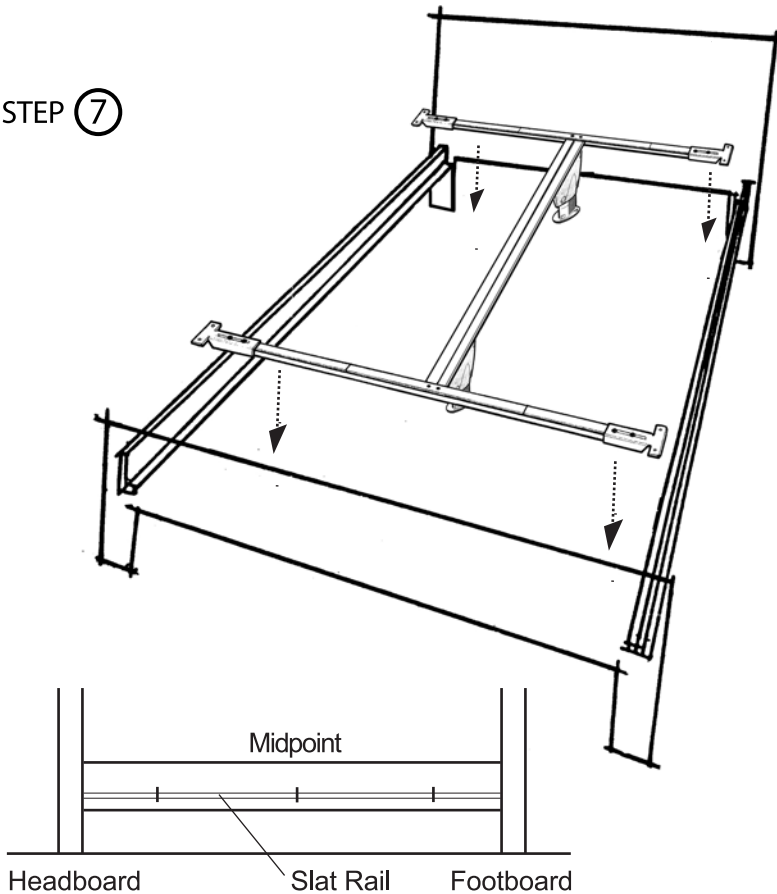
STEP ⑥



⑤ After Extension Bar rivets are inserted into Keyhole Slots, pull apart to fully engage.

⑥ Insert 4 Locking Plugs to keep the Extension Bars beams from disengaging.

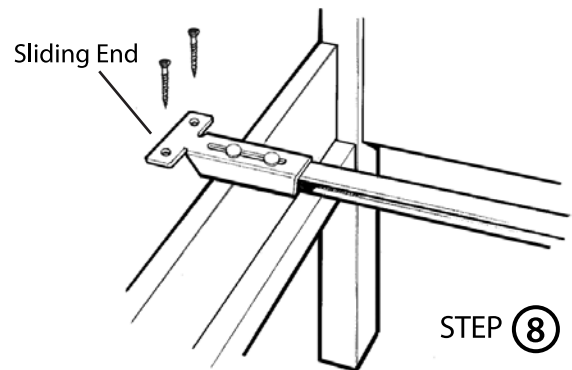
STEP ⑦



Side view of Wooden Bed

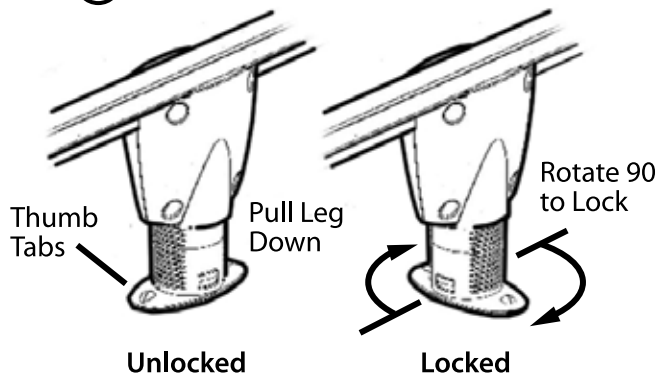
⑦ With Bedbeam Support System completely assembled, position Bedbeam over wood bed at midpoint between headboard and footboard.

⑧ With Bedbeam Sliding Ends resting on the wood bed side rail cleats, attach each with two supplied wood screws.



STEP ⑧

STEP ⑨



⑨ Make sure leg, or legs are in the unlocked position, (see illustration). Pull legs down until they contact the floor. Use thumb tabs on Foot to rotate Foot/Leg assembly 90 degrees clockwise to lock in position.

**Foundation and mattress can now be installed onto the Bedbeam II Bed Support System.**

**IMPORTANT:**  
Legs must be perpendicular to the floor. Use care when moving the bed, cleaning or placing items under the bed.